

# P10

PERFECT PRESENTER

- Resolution: SXGA
- Compatibility: HDTV
- Frame Rate: 30 fps
- Powerful 128x Zoom
- Picture-in-Picture
- Highlighting



**For Perfectly Enlightening Classroom Presentations**

# P10 SPECIFICATION

Model		P10	
Camera	Image pick-up device	1/3" CMOS sensor	
	Total pixels	1,384 (H) x 1,076 (V)	
	Effective pixels	1,280 (H) x 1,024 (V)	
	Frame rate	30 fps (max.)	
	Resolution	RGB output	800 (H) TV lines or more
Video output		500 (H) TV lines or more	
Optics	Zoom	Powered, 16x Optical	
	Lens	F2.7, f=4.9 mm - 78.4 mm	
	Shooting Area	Max.	XGA: 405 x 303 mm (16" x 12") SXGA: 405 x 324 mm (16" x 12 3/4") WXGA: 405 x 248 mm (16" x 9 3/4") HDTV: 405 x 223 mm (16" x 8 25/32")
		Min.	XGA: 30 x 23 mm (1 3/16" x 29/32") SXGA: 30 x 24 mm (1 3/16" x 15/16") WXGA: 30 x 19 mm (1 3/16" x 3/4") HDTV: 30 x 17 mm (1 3/16" x 21/32")
	Focus	Full-Auto / One-Shot / Manual	
Functions	White balance	Full-Auto / One-Push / Manual	
	Negative/positive conversion	Provided	
	Image mode	Text1 / Text2 / Text3 / Graphics1 / Graphics2	
	Edge enhancement	Provided	
	Colour/B&W selection	Provided	
	Freeze (Pause mode)	Provided	
	Digital Zoom	8x	
	Gamma setting	Provided	
	Graphic OSD	Provided	
	Slide show	Provided (SD memory card image data)	
	Image save	Provided (SD memory card)	
	Image rotation	Provided (0° / 180°)	
	State presetting	Provided (3 preset + power ON)	
	Annotation	Provided (on PC screen)	
	Brightness control	Auto / Manual	
	Scroll	Provided (in digital zoom)	
	Mask function	Provided	
	PinP (picture-in-picture)	Provided	
Highlight function	Provided		
Interface	Input selection	Main / External	
	Analogue RGB output	XGA (1,024 x 768 @60 Hz)	
		SXGA (1,280 x 1,024 @60 Hz)	
		WXGA (1,280 x 800 @60 Hz)	
		HDTV (1,280 x 720 @60 Hz / 50 Hz)	
	DVI-D output	Provided	
	Video output	Composite	
	RGB input	Provided (x1)	
USB port	Provided, USB 2.0		
SD memory card slot	Provided (x1)		
Lighting	illumination	White LED	
Others	Accessories	Power cord (1.5m), AC adapter, Analogue RGB cable (2m), RCA video cable (3m), USB cable (1.8m), DVI cable (2m), Remote control with strap, Image Mate CD, Slide shooting adapter, Image installation manual	
	Power source	12V DC (AC 100 - 240V, 50/60 Hz)	
	Power consumption	20W (AC adapter included)	
	Dimensions	377 x 482 x 613 mm (14 13/16" x 19" x 24 1/8") (W x D x H)	
	Weight	4.5 kg (9.9 lbs)	

H: horizontal, V: vertical

Design and specifications are subject to change without prior notice.

The images in this brochure are simulated.

"ELMO" is a trademark of ELMO COMPANY, LIMITED.

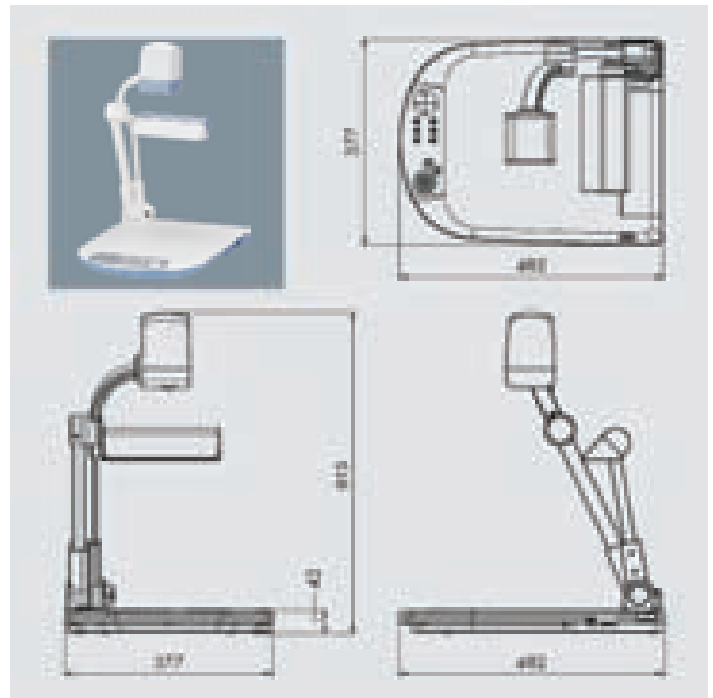
Other brand names and product names may be trademarks or registered trademarks of their respective owners.

## ELMO's Helping to Provide a Greener Future for Our Children

This ELMO product complies with RoHS Directive 2002/95/EC (Restriction Of the use of certain Hazardous Substances in electronic equipment). This compliance helps to ensure a healthier and greener environment for all our children.

# PROFILE

All dimensions in mm (inch)



## REAR PANEL



## LET'S Start ICT in Education with "Document Camera"

Visit the ELMO global website to understand what a document camera is in different languages. The ELMO global website introduces you to the useful and effective ways of using the document camera and how the ELMO document camera is used and supported by teachers worldwide. <http://www.elmoglobal.com>



ELMO CO., LTD. is one of the sponsors for Japan Committee Vaccines for the World's Children (JCV).

JCV operates under basic guidelines and objectives of the Children's Vaccine Initiative (CVI) founded in 1990 by UNICEF, WHO, UNDP, the Rockefeller Foundation, and the World Bank.

ISO 9001  
ISO 14001

ELMO CO., LTD. (Head Office and Factory)'s QMS/EMS has been registered to ISO 9001 & 14001 : 2004.

Distributed by



An ISO 9001 : 2000 company

**Globus Infocom Ltd.**

C-1/2, Safdargunj Development Area  
New Delhi - 110016 Tel/Fax: 011-26964810

AVAILABLE ON  
DGS&D RATE CONTRACT

**Technical Support**

Toll Free: 1800111199

E-mail: [service@globusinfocom.com](mailto:service@globusinfocom.com)

E-mail: [info@globusinfocom.com](mailto:info@globusinfocom.com), Website: [www.globusinfocom.com](http://www.globusinfocom.com)

**ELMO**  
FOCUS ON THE FUTURE

**ELMO CO., LTD.**

6-14, Meizen-cho, Mizuho-ku  
Nagoya, 467-8567, Japan  
E-mail : [overseassales@elmo.co.jp](mailto:overseassales@elmo.co.jp)



This brochure is printed on recycled paper with soy ink.

Printed in India (O) 09/2010