



SAFE IS THE NEW SMART



5MP Mini Dome Network Camera

Model: GNCS-PD5F03-WSA (Pro series)



Application Areas



Airports



Classrooms and Library



Hospitals



Police Stations



Government Office



Hotels

Indoor Dome Fixed CCTV Camera

Globus GNCS-PD5F03-WSA Indoor Dome Fixed Cameras are compact and fit unobtrusively under any setting with the dome setting making it difficult to decipher where the camera is focussed at. The rugged casing also protects the cameras against any redirection, tampering, defocusing and impact. Adding to the usability of our cameras, it is perfect for sweeping any kind of environment, be it day or night, powered by its Starlight and Night Vision technology. The series include IR illumination as well as Starlight for high definition images even in complete darkness.

Globus Indoor Fixed Dome Cameras are equipped with vandal and dust resistant casing for round the clock performance and minimal downtime. Furthermore, the H.265+ compression technology lets you obtain high quality output with significantly reduced bandwidth and storage requirements.

Designed for performance, challenging lighting conditions and mission-critical applications, Globus Indoor Dome Fixed Cameras are ONVIF supported to ensure interoperability between IP-based security products regardless of brand.

Sony Starvis Sensor



Globus Network CCTV Cameras are engineered with Sony Starvis Sensors, featuring back-illuminated pixel technology, these sensors are deemed to be one of the best-performing imaging technologies in the current market trends. Equipped with this sensor, Globus Network Cameras provide ultimate scenic detail, colour rendition and ultra-low-light performance with Prior Low Noise Circuit™ (PLNC) technology for better SNR. It features a sensitivity of 2000 mV or more per 1 μm^2 (color product, when imaging with a 706 cd/m² light source, F5.6 in 1 s accumulation equivalent) to render razor-sharp images with life-like detailing and colour reproduction. It deploys Multiple HDR filter to further increase the image quality.

30 FPS

Frame rates play a crucial role in determining the quality of video recorded by CCTV camera, users can reduce their bandwidth consumption while enhancing the detailing in the recorded images by choosing the cameras with high frames per second. Globus Network Cameras are equipped with imaging technology that captures videos in high frame rate of 30 FPS for smooth and even images of moving objects.



True Wide Dynamic Range



Globus Network CCTV Cameras are concocted with 120dB True WDR hence able to control the exposure as well as process the light values of each pixel in the image. Using 120dB WDR, the Globus range of cameras capture a balanced image with optimal exposure for all areas within the camera's field of view. In other words, Bright spots are toned down to prevent the image from being washed out, and the dark images are augmented to expose the objects in the shadows. This, in turn, enables the camera to go in places that would normally require expensive lighting controls/equipment.

IK10

Globus range of Network cameras are among the highly protected range of cameras compliant to IK10 standards (EN 62262 and IEC 62262) which means that the camera can be used in applications with high rates of vandalism. In addition, a Security Camera that is IK10 rated will generally withstand a variety of elements better than commercial grade standard Dome or Bullet Style Cameras.



Triple Stream



Globus Network CCTV Cameras support multiple streams allowing a single camera to transmit triple streams at different resolutions, frame rates and codecs. It preserves the client-side bandwidth and processing power providing a wide extensive usage with a single installation itself. Triple streams provide much more flexibility to users by allowing different data streams to be sent simultaneously for smoother video streaming.

Globus Network Cameras support triple streams:

- Primary stream: full resolution
- Secondary stream: low resolution
- Tertiary stream: flexible choice (dynamic or low resolution).

H.265+ Compression Technology

The optimized version of H.265 compression technology, it uses a scene-adaptive encoding technology, dynamic ROI, intelligent noise reduction, flexible multi-frame reference, etc. to deliver high quality images while utilizing lower bandwidth and storage space. It reduces the bit rate and storage requirements of the recorded videos by up to 70% as compared to its predecessor.



Starlight Technology



Powered by Starlight Technology, Globus Network Cameras are designed specifically to perform even under challenging lighting conditions. Our cameras offer astounding light sensitivity, colour rendition even in low light down 0.001 lux. It uses its optical features to balance light throughout the scene and produce coloured images in dark environments. Our cameras produce full colour images in the dark with utmost detail where most of the conventional counterparts switch to monochrome. Aided by Starlight technology combined with other impressive technical specifications, Globus Network Cameras are the ultimate 24x7 surveillance cameras in the market.

AI powered Video Content Analytics

The inbuilt AI-powered Video Analytics packs cutting-edge concepts and delivers more efficient, streamlined and hassle-free video assessment. It deploys artificial intelligence to cameras by analysing video content in real-time and fetches suitable inferences. It reliably detects, tracks and analyses object in its field of view and alerts users with preset alarms on incidents. A smart system of alarm rules out false alarms to minimum and makes surveillance from Globus Network Cameras more automated requiring minimal human intervention. Clubbed with features like Advanced motion detection, Camera tampering detection, People counting, Region entrance detection, Region departure detection, Line crossing detection, Loitering detection, Human presence detection, Left Object detection, Object removal detection, etc, Globus AI-Powered Video Analytics makes for a holistic and all-inclusive surveillance solution for every organization's security requirements.



Smart IR Technology



Powered by Starlight Technology, Globus Network Cameras are designed specifically to perform even under challenging lighting conditions. Our cameras offer astounding light sensitivity, colour rendition even in low light down 0.001 lux. It uses its optical features to balance light throughout the scene and produce coloured images in dark environments. Our cameras produce full colour images in the dark with utmost detail where most of the conventional counterparts switch to monochrome. Aided by Starlight technology combined with other impressive technical specifications, Globus Network Cameras are the ultimate 24x7 surveillance cameras in the market.

SIP/VoIP



Globus Network Cameras support the SIP Protocol to enable users to use each camera as an extension on a PBX. This feature enables operators to communicate verbally using the camera itself. It eliminates the need to install a paging system and combines both surveillance and communication into a single package. Owing to its SIP protocol, Globus Network Cameras enable users to make a call and transmit live-view as well as real-time sound to receiver's VOIP telephone in case certain incidents, which is faster and efficient than sending an email. Furthermore, it also reduces the traditional call costs.

ONVIF G, Q, S, T compliance

Globus Security Systems support ONVIF profiles G, Q, S and T to ensure effective interoperability of our Network Cameras with other industry products. All our IP products are 100% ONVIF compliant and support all the features like video & audio streaming, pan-tilt-zoom control & relay output, site info & configuration, event & alarm management, etc.



Edge based SD Card Recording

To increase its usability, Globus Network Cameras come with Edge SD Card Recording support. This feature also serves as a saviour during network or server burnouts.

Audio In/Audio Out

Users can connect microphone and speaker to capture audio, listen live, record audio and talk/or make announcement via Globus Network Cameras using the two-way audio communication feature of the device. This feature allows operators to alert, deter or inform visitors or intruders in case of certain incidents. Recorded audio can also be used as an alarm to deter trespassers and miscreants.

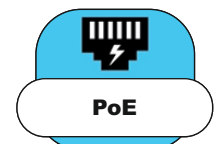


Alarm In/Alarm Out

For efficient, smart and responsive event management, Globus Network Video Recorders supports Alarm-In and Alarm-Out functionality. This enterprise-level alarm triggering mechanism supports various alarms and alerts in case of specific events. It strengthens users' security and surveillance infrastructure and improves its overall efficiency.

Power Over Ethernet (PoE)

Power over Ethernet is an efficient way to power cameras with an Ethernet cord and also give them a direct network access. The functionality of PoE makes installation easier and cheaper by requiring only one cable. Unlike other connections, PoE also ensures your network cameras are always connected.



IP68



This Globus Network Camera is Industrial grade, extremely weather proof, and made of much higher end materials than inexpensive consumer grade cameras. This range of Globus Network Camera is certified to withstand dust, dirt and sand, as well as being resistant to water submersion up to a maximum depth of 1.5 meters for up to thirty minutes and is ideally suited for rugged industrial applications.

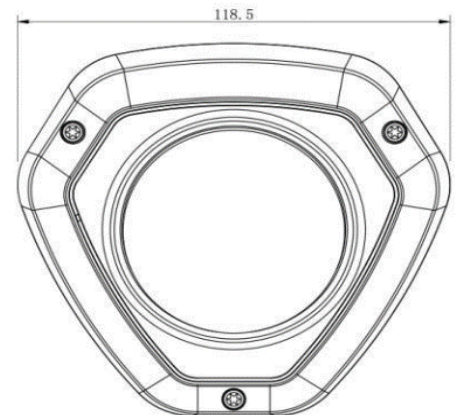
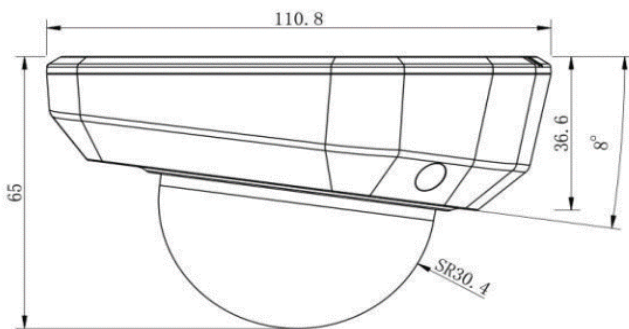
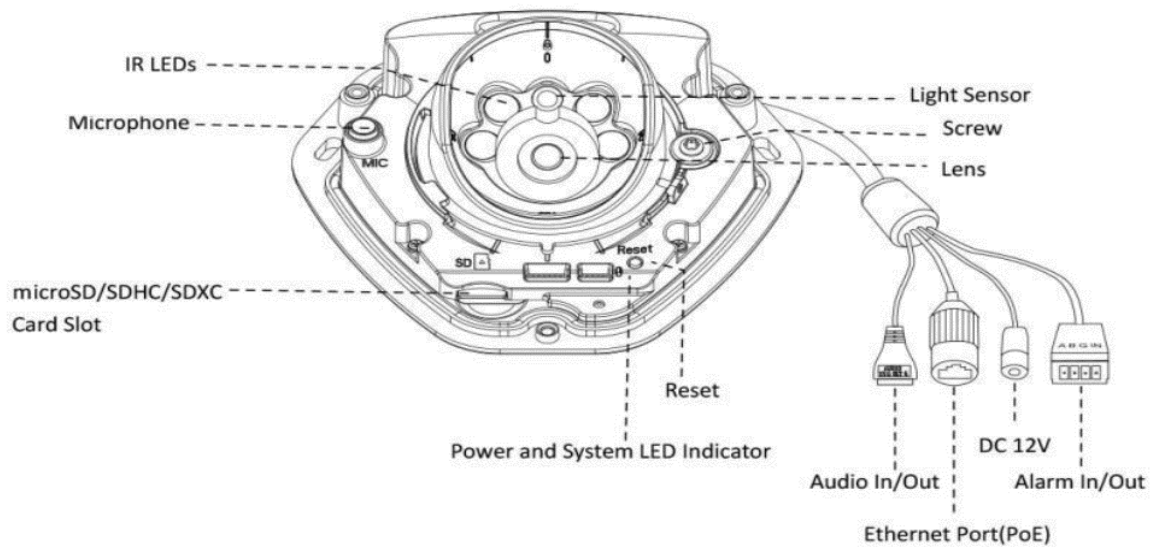
5MP Mini Dome Network Camera

| Camera | |
|--------------------------------|--|
| Image Sensor | 1/2.7" Progressive Scan CMOS |
| Effective Pixel | 2592x1944 |
| RAM/ROM | 512MB/128MB |
| Min. Illumination | Color: 0.001Lux@F1.2, B/W: 0Lux with IR on |
| Shutter Speed | 1s ~ 1/100000s |
| Lens | 2.8mm Fixed Lens, Fixed Focus Control |
| Digital Zoom | 16x Digital Zoom |
| Field of View | Horizontal: 111° Vertical: 82° Diagonal: 141° |
| Aperture | F1.2 |
| Iris Type | Fixed Iris |
| Signal System | PAL/NTSC |
| Adjustment Angle | 3 Axis |
| S/N Ratio | >60dB |
| Day/Night | ICR Filter Auto Switch |
| IR Distance | Up to 30m |
| Wavelength | 850nm |
| Video | |
| Video Compression | H.265+, H.265, H.264+, H.264, MJPEG |
| Streaming Capability | Triple streams Individually configurable (H.265+,H.265,H.264) |
| Frame Rate | Primary Stream: 30fps@2592x1944, 45fps@2048x1536, 60fps@1920x1080 20fps@2592x1944, 30fps@2048x1536, 1920x1080, 1280x960, 1280x720, 704x576 |
| | Secondary Stream: 30fps@704x576, 640x480, 640x360, 352x288, 320x240, 320x192, 320x180 |
| | Tertiary Stream: 30fps@1920x1080, 1280x720, 704x576, 640x480, 640x360, 320x240, 320x192, 320x180 |
| Video Bit Rate | 16Kbps~16Mbps (CBR/VBR Adjustable) |
| Image | |
| Wide Dynamic Range (WDR) | 120dB WDR |
| Back Light Coompensation (BLC) | Supported |

| | |
|--------------------------------------|--|
| High Light Compensation (HLC) | Supported |
| Auto Exposure | Auto Level Control |
| Electronic Image Stabilization (EIS) | Supported |
| Privacy Masking | Supported (8 Areas, Rectangular) |
| ROI | Supported (8 Areas, Rectangular) |
| Defog | Supported |
| Digital Noise Reduction | 2D/3D DNR |
| Image Setting | Brightness, Contrast, Saturation, Auto Gain, Sharpness, Image Rotation |
| Image Enhancement Function | AWB, AGC, Anti-flicker, Corridor Mode, Deblur, Watermark |
| Audio | |
| Audio Compression | G.711, AAC, G.722, G.726 |
| Audio Streaming | Two-Way Audio |
| Audio Input | 1 Channel Input |
| Audio Output | 1 Channel Output |
| Events | |
| Event Trigger | Motion Detection, Network Disconnection, External Input, Audio Alarm, Pre/Post Alarm Buffer. |
| Event Action | FTP Upload, SMTP Upload, SD Card Record, External Output, SIP Phone, HTTP Notification. |
| Video Content Analytics (VCA) | Region Entrance, Region Exiting, Advanced Motion Detection, Tamper Detection, Line Crossing, Loitering, Human Detection, People Counting, Object Left, Object Removed. |
| Local Storage | |
| Memory Card Slot | Supported up to 256GB Micro SD. |
| ANR | Supported, Auto store video in SD card when NVR is disconnected; Upload video to NVR when connection is resumed. |
| Alarm Interface | |
| Alarm Input | 1 Channel Input |
| Alarm Output | 1 Channel Output |
| Network | |
| Ethernet | 1*RJ45 10M/100M Ethernet Port |
| IP Support | Static, Dynamic |

| | |
|-------------------------------|---|
| Protocol | Pv4/IPv6, ARP, TCP, UDP, RTCP, RTP, RTSP, RTMP, HTTP, HTTPS, DNS, DDNS, FTP, NTP, SMTP, SNMP, DHCP, UPnP, Bonjour, SIP, PPPoE, VLAN, 802.1x, QoS, IGMP, ICMP, SSL |
| AES Encryption | AES256 Supported |
| IP Address Filtering | Supported |
| Multi-Level User ID/ Password | Supported |
| Network Storage | NAS(Support NFS, SMB/CIFS) |
| SIP/VoIP | Supported |
| Web Viewer | IE, Chrome, Firefox, Safari |
| Management Software Function | Globus CMS-Pro |
| Mobile Application | GloView Pro |
| System Compatibility | Onvif Profile G, Q, S, T & API |
| User/Host | 20 |
| Environmental | |
| Power Supply | PoE (802.3af), DC 12V±10% |
| Power Consumption | 2.5W Max, 5W Max(With IR on) |
| Operating Temperature | -40°C~65°C, Less than 95% RH |
| Ingress Protection | IP68 |
| Vandal Resistance | IK10 |
| Casing | Aluminium |
| Dimensions | 118.5mmX110.8mmX65mm |
| Weight | 500g |

Exploded View



About Globus Infocom

Globus Infocom is a pioneer of technological solutions in the field of Education Technology, Collaborative Conferencing & Professional Displays, Security & Surveillance and Healthcare & Wellness.

The company houses one of the most elaborate range of security solutions including Network Dome Camera, Network Bullet Camera, PTZ Cameras, Fish Eye Cameras, NVRs, DVRs, Mobile Surveillance, Body Worn Cameras, Switches, PoE and related accessories.

With its in-house Research & Development team and the zeal for constant innovation, Globus has developed an insight to understand what 21st century Security & Surveillance market demands. Owing to its nationwide sales and service support, Globus Infocom, a proud Make in India brand, has amassed more than 25,000 customers with 50% of repeat order ratio.