



SAFE IS THE NEW SMART



2MP PTZ Network Camera with 33x Optical Zoom

Model: GNPA-P236Z25 (Pro Series)



SONY STARVIS



60 FPS



WDR 144dB



TRIPLE STREAM



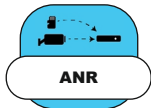
H.265+



STARLIGHT



AUTO TRACKING



ANR



ONVIF
STG



SD CARD



AUDIO I/O



ALARM I/O



IP67



VCA

Application Areas



City Surveillance



Railway Station



Industrial Plant



Crowded Public Places



Government Office



Outdoor Perimeters

PTZ Camera

GNPA-P236Z25 Globus PTZ Camera is a high-performance, multi-functional security & surveillance solution that's ideal for wide area of coverage. It can perform optimally for wide-area surveillance even in challenging environment; from perimeters of organizations, parking lots, entrance, etc. With the help of its Pan, Tilt and Zoom capabilities, it creates high resolution images in a wider area, serving as a one-stop solution for outdoor surveillance.

Powered by Sony Starvis Sensor, it brings on board an image processing that transcends excellence, clarity, and high performance at Full HD resolution. Its extra-wide dynamic range assures clear and balanced video images even in too bright or too dark lighting conditions, where its conventional counterparts struggle. With high frame rates, Globus PTZ Cameras let users recognize, analyse and assess split-second footages with unprecedented precision.

The advanced processing engine of Globus PTZ Cameras can even de-blur images of moving objects in real time for fast camera pans. The continuous, noise-less PTZ operation of our cameras lets users immediately pan on the area of interest while the powerful optical zoom grabs the details of the scene without losing clarity.

Crafted with excellence of round the clock performance and high reliable output, Globus PTZ Camera can operate under challenging conditions like direct sunlight, rain, dust, etc. Coupled with Smart Video Analytics, our security & surveillance solutions support ONVIF for simplified integration with a wide range of platforms and hardware.

Sony Starvis Sensor



Globus Network CCTV Cameras are engineered with Sony Starvis Sensors, featuring back-illuminated pixel technology, these sensors are deemed to be one of the best-performing imaging technologies in the current market trends. Equipped with this sensor, Globus Network Cameras provide ultimate scenic detail, colour rendition and ultra-low-light performance with Prior Low Noise Circuit" (PLNC) technology for better SNR. It features a sensitivity of 2000 mV or more per 1 μm^2 (color product, when imaging with a 706 cd/m² light source, F5.6 in 1 s accumulation equivalent) to render razor-sharp images with life-like detailing and colour reproduction. It deploys Multiple HDR filter to further increase the image quality.

60 FPS

Frame rates play a crucial role in determining the quality of video recorded by CCTV camera, users can reduce their bandwidth consumption while enhancing the detailing in the recorded images by choosing the cameras with high frames per second. Globus Network Cameras are equipped with imaging technology that captures videos in high frame rate of 60 FPS for smooth and even images of moving objects.



Super Wide Dynamic Range



Creating vivid and true colour images even in the most intensely lit conditions is one of the major aspects to look for in CCTV cameras. Ordinary cameras fail to create high quality images when certain parts of the scene are dark while others are too bright. Globus Network Cameras' Wide Dynamic Range uses industry's leading Wide Dynamic Range of 144dB to create high quality images in both bright and low light conditions by balancing the shutter speed for each type of scene. It comes with special chipset combined with well-balanced software that allows the camera to proportionate lighting for one clear and usable image. This feature makes Globus Network Cameras a perfect pick for the outdoor purposes in bright sunlight or dim lighting. It is also ideal for places like entrances where there is a substantial contrast of lighting between the sunshine outside and dim lighting inside.

Triple Stream

Globus Network CCTV Cameras support multiple streams allowing a single camera to transmit triple streams at different resolutions, frame rates and codecs. It preserves the client-side bandwidth and processing power providing a wide extensive usage with a single installation itself. Triple streams provide much more flexibility to users by allowing different data streams to be sent simultaneously for smoother video streaming.



Globus Network Cameras support triple streams:

- Primary stream: full resolution
- Secondary stream: low resolution
- Tertiary stream: flexible choice (full, low or dynamic resolution).

H.265+ Compression Technology



The optimized version of H.265 compression technology, it uses a scene-adaptive encoding technology, dynamic ROI, intelligent noise reduction, flexible multi-frame reference, etc. to deliver high quality images while utilizing lower bandwidth and storage space. It reduces the bit rate and storage requirements of the recorded videos by up to 70% as compared to its predecessor.

Starlight Technology

Powered by Starlight Technology, Globus Network Cameras are designed specifically to perform even under challenging lighting conditions. Our cameras offer astounding light sensitivity, colour rendition even in low light down 0.001 lux. It uses its optical features to balance light throughout the scene and produce coloured images in dark environments. Our cameras produce full colour images in the dark with utmost detail where most of the conventional counterparts switch to monochrome. Aided by Starlight technology combined with other impressive technical specifications, Globus Network Cameras are the ultimate 24x7 surveillance cameras in the market.



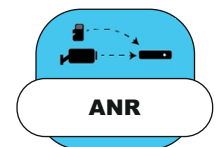
Auto Tracking PTZ



Globus Auto Tracking PTZ mechanism lets users automatically control the pan, tilt and zoom mechanism of the camera for optimized camera view. The camera locates the objects of interest on the site and focuses, tilt and zoom accordingly to fetch high quality images. Even for objects out of view, it pans and directs automatically without human intervention to provide holistic surveillance to your property.

ANR Technology

Globus Network Cameras support the Automatic Network Replenishment (ANR) feature i.e. if the connection between NVR and cameras is lost, the camera would start continuous recording and store videos in SD card instead of NVR. Then after reconnection, NVR automatically retrieves missed continuous videos from camera SD card in a period of time to prevent data missing. This feature enables user to use retrieve recorded data seamlessly and without any interruption. Thus, all of video recordings would be saved even network fails temporarily.



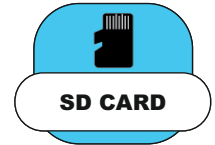
ONVIF STG



Globus Security Systems support ONVIF profiles S,T and G to ensure effective interoperability of our Network Cameras with other industry products. All our IP products are 100% ONVIF compliant and support all the features like video & audio streaming, pan-tilt-zoom control & relay output, site info & configuration, event & alarm management, etc

Edge based SD Card Recording

To increase its usability, Globus Network Cameras come with Edge SD Card Recording support. This feature also serves as a saviour during network or server burnouts.



Audio In/Audio Out



Users can connect microphone and speaker to capture audio, listen live, record audio and talk/or make announcement via Globus Network Cameras using the two-way audio communication feature of the device. This feature allows operators to alert, deter or inform visitors or intruders in case of certain incidents. Recorded audio can also be used as an alarm to deter trespassers and miscreants.

Alarm In/Alarm Out

For efficient, smart and responsive event management, Globus Network Video Recorders supports Alarm-In and Alarm-Out functionality. This enterprise-level alarm triggering mechanism supports various alarms and alerts in case of specific events. It strengthens users' security and surveillance infrastructure and improves its overall efficiency.



IP67



For efficient, smart and responsive event management, Globus Network Video Recorders supports Alarm-In and Alarm-Out functionality. This enterprise-level alarm triggering mechanism supports various alarms and alerts in case of specific events. It strengthens users' security and surveillance infrastructure and improves its overall efficiency.

AI powered Video Content Analytics

The inbuilt AI-powered Video Analytics packs cutting-edge concepts and delivers more efficient, streamlined and hassle-free video assessment. It deploys artificial intelligence to cameras by analysing video content in real-time and fetches suitable inferences. It reliably detects, tracks and analyses object in its field of view and alerts users with preset alarms on incidents. A smart system of alarm rules out false alarms to minimum and makes surveillance from Globus Network Cameras more automated requiring minimal human intervention. Clubbed with features like Advanced motion detection, Camera tampering detection, People counting, Region entrance detection, Region departure detection, Line crossing detection, Loitering detection, Human presence detection, Left Object detection, Object removal detection, etc, Globus AI-Powered Video Analytics makes for a holistic and all-inclusive surveillance solution for every organization's security requirements.



2MP PTZ Network Camera with 33x Optical Zoom

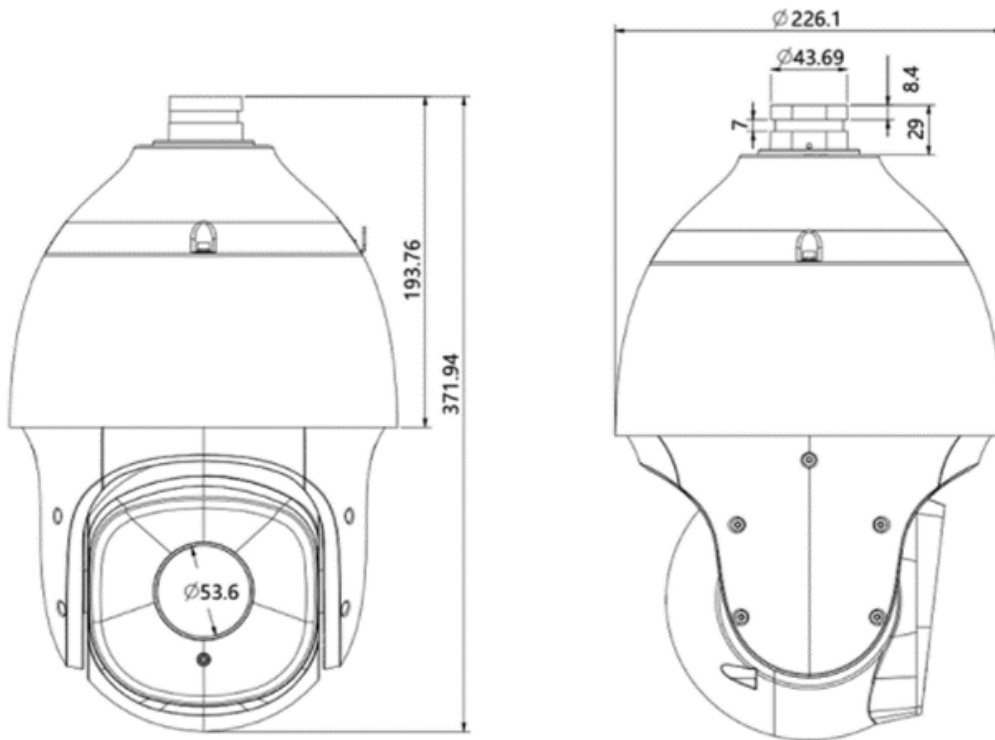
Camera	
Image Sensor	1/2.7" Progressive Scan CMOS
Effective Pixel	1920x1080
Min. Illumination	Color: 0.001Lux@F1.5, B/W: 0Lux with IR on
Shutter Speed	1s ~ 1/100000s
Lens	4.6mm~152mm, Automatic Focusing & Motorised Zoom Lens
Optical Zoom	33x Optical Motorised Zoom
Digital Zoom	16x Digital Zoom
Field of View	Horizontal: 60°~2.3° Vertical: 44.4°~-1.5°
Aperture	F1.5~F4.0
Iris Type	DC-Iris
Signal System	PAL/NTSC
S/N Ratio	>60dB
Day/Night	ICR Filter Auto Switch
IR Distance	Up to 250m
Wavelength	850nm
Video	
Video Compression	H.265+, H.265, H.264+, H.264, MJPEG
Streaming Capability	Triple streams Individually configurable (H.265+,H.265,H.264)
Frame Rate	Main Stream: PAL: 50fps @1920×1080, 1280×720, 704×576, 640×480 NTSC: 60fps@ 1920×1080, 1280×720, 704×480, 640×480
	Sub Stream: PAL:25fps @704×576, 704×288, 640×360, 352×288 NTSC: 30fps @704×480, 704×240, 640×360, 352×240
	Third Stream: PAL:25fps @1920x1080, 704×576, 704×288, 352×288 NTSC: 30fps @1920x1080, 704×480, 704×240, 352×240
Video Bit Rate	16Kbps~16Mbps (CBR/VBR Adjustable)
Image	
Wide Dynamic Range (WDR)	144dB WDR
Back Light Compensation (BLC)	Supported

Events	
Event Trigger	Harsh Voice Alarm, Motion Detection, Mask Alarm, Port Alarm, Network Disable Alarm, IP Conflict, MAC Conflict Detection
Video Content Analytics (VCA)	Tripwire, Double Tripwire, Perimeter, Object Abandon, Object Lost, Loitering, Running, Parking, Heatmap, Video Abnormal, Crowd, Audio Abnormal, Demographics(People Counting), On Duty Detection, Safety Helmet Detection, Auto tracking, Face Capture up to 16 faces at the same scene
Local Storage	
Memory Card Slot	Supported up to 256GB Micro SD.
ANR	Supported, Auto store video in SD card when NVR is disconnected; Upload video to NVR when connection is resumed.
Alarm Interface	
Alarm Input	8 Channel Input
Alarm Output	2 Channel Output
Network	
Ethernet	1*RJ45 10M/100M Ethernet Port
IP Support	Static, Dynamic
Protocol	TCP/IP, ICMP, HTTP, HTTPS, FTP, DHCP, DNS, DDNS, RTSP, PPPoE, NTP, UPnP, SMTP, IGMP, QoS, IPV4, IPV6, MULTICAST, RTMP
AES Encryption	AES256 Supported
IP Address Filtering	Supported
Multi-Level User ID/ Password	Supported
Network Storage	NAS(Support NFS, SMB/CIFS)
SIP/VoIP	Supported
Web Viewer	IE, Chrome, Firefox, Safari
Management Software Function	Globus CMS-lite
Mobile Application	GloView lite
System Compatibility	Onvif Profile S, T, G & SDK
User/Host	8
Environmental	
Power Supply	AC24V±25% / DC 24V±10% / POE++
Power Consumption	22W Max, 44.2W Max(With IR on)
Surge Protection	6KV

High Light Compensation (HLC)	Supported
Auto Exposure	Auto Level Control
Electronic Image Stabilization (EIS)	Supported
Privacy Masking	Supported (24 Areas, Rectangular)
ROI	Supported (7 Areas, Rectangular)
Defog	Supported
Digital Noise Reduction	2D/3D DNR
Image Setting	Brightness, Contrast, Saturation, Auto Gain, Sharpness, Image Rotation
Image Enhancement Function	AWB, AGC
Audio	
Audio Compression	G.711A, G.711U, ADPCM_D, AAC_LC
Audio Streaming	Supported
Audio Input	1 Channel Input
Audio Output	1 Channel Output
PTZ	
Pan Range/Pan Speed	360°endless / Pan Manual Speed: 0.1°~260°/s, Pan Preset Speed: 300°/s
Tilt Range/Tilt Speed	-16°~90°(Auto Flip) / Tilt Manual Speed: 0.1°~160°/s, Tilt Preset Speed: 220°/s
Proportional Zoom	Supported
Preset Quantity	500
Preset Freezing	Supported
Cruise	16 Cruise, up to 32 presets each Cruise
Scan	8
Pattern	8, each with 600s memory or 1000 orders
Auto Tracking	Supported
Power Off Memory	Supported
PTZ Position Display	ON/OFF
3D positioning	Supported
RS-485	Supported
BNC	Supported

Operating Temperature	-40°C~65°C, Less than 95% RH
Ingress Protection	IP67
Vandal Resistance	IK10
Casing	Aluminium
Dimensions	222mmX372mm
Weight	5.3Kg

Exploded View



About Globus Infocom

Globus Infocom is a pioneer of technological solutions in the field of Education Technology, Collaborative Conferencing & Professional Displays, Security & Surveillance and Healthcare & Wellness.

The company houses one of the most elaborate range of security solutions including Network Dome Camera, Network Bullet Camera, PTZ Cameras, Fish Eye Cameras, NVRs, DVRs, Mobile Surveillance, Body Worn Cameras, Switches, PoE and related accessories.

With its in-house Research & Development team and the zeal for constant innovation, Globus has developed an insight to understand what 21st century Security & Surveillance market demands. Owing to its nationwide sales and service support, Globus Infocom, a proud Make in India brand, has amassed more than 25,000 customers with 50% of repeat order ratio.